



GS-180NFX1L LED Strip Lights

Type: _____
 Project: _____
 Catalog#: _____

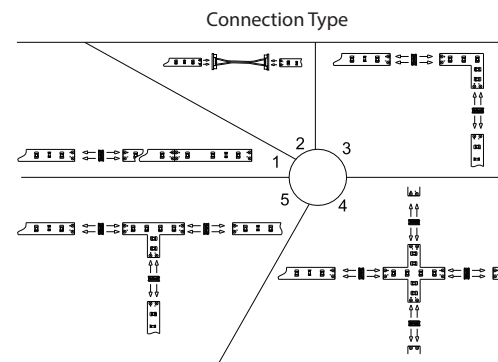
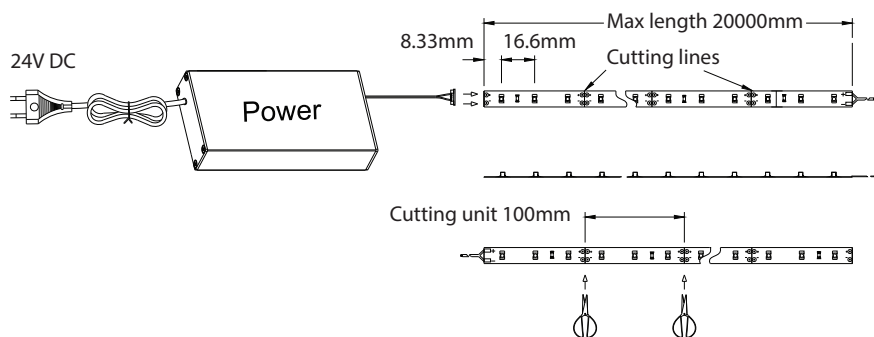
Main Features

- 20m long strip driven by single power supply from one end to the other; achieves same brightness throughout
- Self-encapsulated design offers various colour temperatures
- Life span of <36,000 hours
- 3M adhesive tape backing for easy installation



Technical Information

GS-180NFX1L



Specification Features

Model	GS-180NFX1L		
Lumen Output (lm)	590 - 690 per meter	Dimensions (mm)	20000 x 10 x 1.5 mm
Efficacy	100 - 115 lm/W	Current unit	100mm / 6 LEDs
Power Consumption	5.6 ~ 6.4W	Minimum Bend Angle	Φ 60 mm
Colour Temperature	2700K, 3000K, 4000K, 5000K, 6000K	IP	33
CRI	>80 / >90	Certification	cETLus, CE, RoHS
Input Voltage	24V DC	LED	2835
Rated Current	0.25A (1m) / 4.65A (20m)	Warranty	5 Years



GS-180NFX1L LED Strip Lights

Order Form

Series	Model	Length	CRI	Colour	Accessories
<input checked="" type="checkbox"/> GS	<input type="checkbox"/> 180NFX1L	<input type="checkbox"/> 20m	<input type="checkbox"/> >80 <input type="checkbox"/> >90	<input type="checkbox"/> 2700K <input type="checkbox"/> 4000K <input type="checkbox"/> 3000K <input type="checkbox"/> 5000K <input type="checkbox"/> 3500K <input type="checkbox"/> 6000K	<input type="checkbox"/> Solder-free Terminal (1) <input type="checkbox"/> Wire cable & Connector (2) <input type="checkbox"/> L shaped Terminal (3) <input type="checkbox"/> + shaped Terminal (4) <input type="checkbox"/> T shaped Terminal (5) <input type="checkbox"/> 10mm Tube Clamps

Output Data

Colour	SW	WW	NW	DW	W
CCT	2700K	3000K	4000K	5000K	6000K
Lumen	635	669	690	690	669
lm / W	106	112	115	115	112

Photometry

