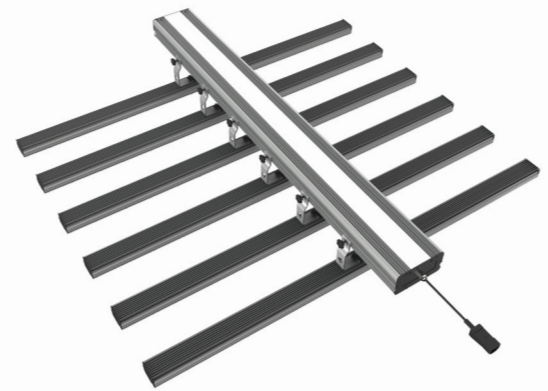




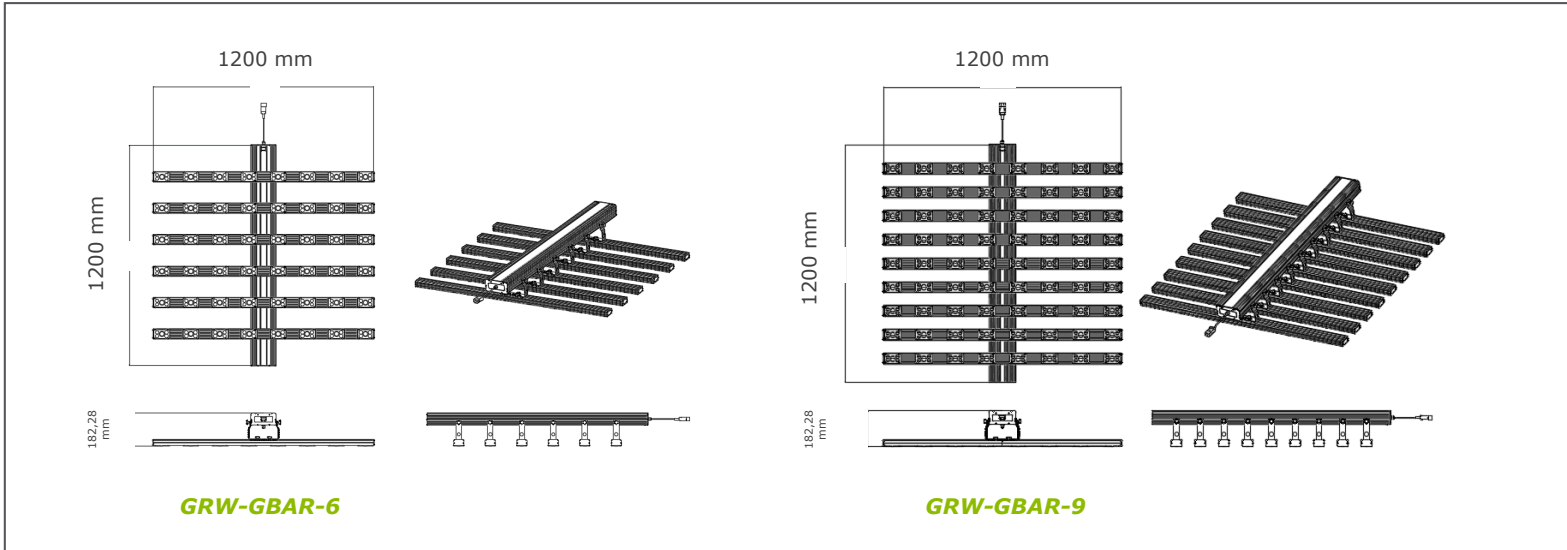
Type: \_\_\_\_\_  
 Project: \_\_\_\_\_  
 Catalog#: \_\_\_\_\_

## GRW-GBAR LED Light Bar

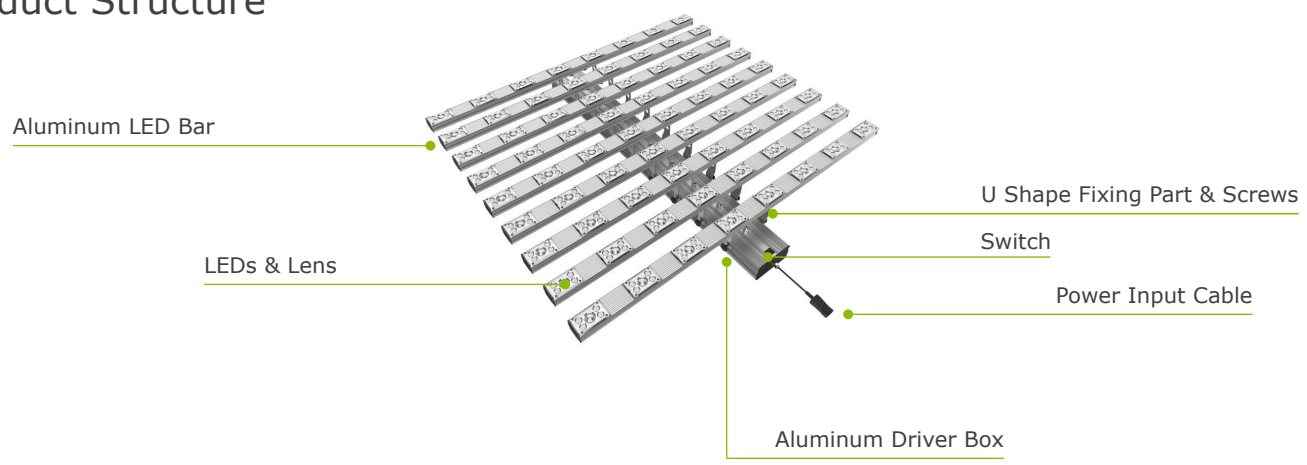


### Technical Information

#### GRW-GBAR-XX



### Product Structure



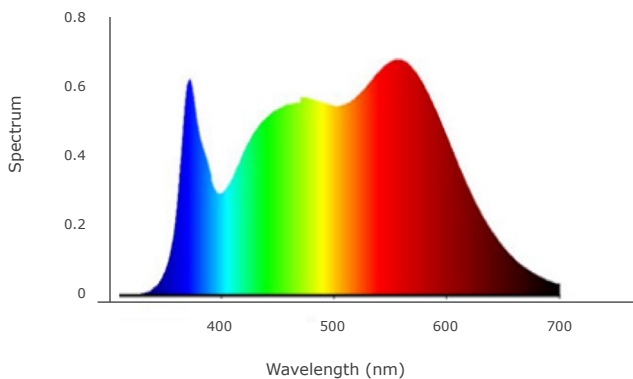


## Specification Features

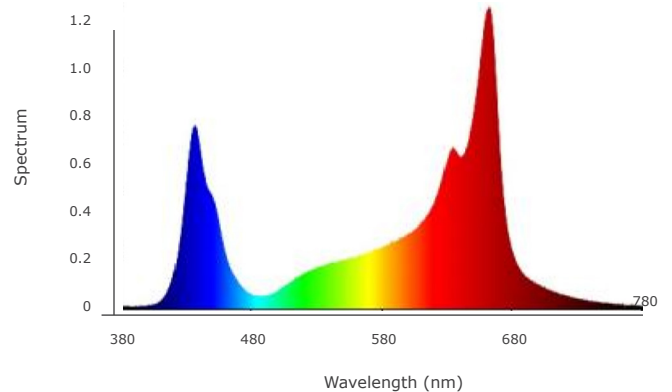
Model	GRW-GBAR-4	GRW-GBAR-6	GRW-GBAR-8	GRW-GBAR-9
LED Source	4 x LED Bars	6 x LED Bars	8 x LED Bars	9 x LED Bars
LED Quantity	32 x COB 144 x CREE leds	48 x COB 192 x CREE leds	64 x COB 256 x CREE leds	72 x COB 288 x CREE leds
Input Voltage	120-277V AC, 347V AC	120-277V AC, 347V AC	120-277V AC, 347V AC	120-277V AC, 347V AC
Driver	Meanwell Driver	Meanwell Driver	Meanwell Driver	Meanwell Driver
Power Consumption (W)	320W	480W	640W	720W
Control	Switch Control	Switch Control	Switch Control	Switch Control
Beam Angle	60°	60°	60°	60°
IP Rating	65	65	65	65
Dimensions (mm)	1200 x 1200 x 182	1200 x 1200 x 182	1200 x 1200 x 182	1200 x 1200 x 182
Weight (kg)	11,85 kg	15,95 kg	20,05 kg	22,1 kg
Working Temperature	0° ~ 40°	0° ~ 40°	0° ~ 40°	0° ~ 40°
Working Environment	Damp Location	Damp Location	Damp Location	Damp Location

## Colour Spectrum

**COB**



**5in1**



## Order Form

Series	Model	No. of Bars	Voltage	Colour Spectrum	Option
<input checked="" type="checkbox"/> GRW	<input type="checkbox"/> GBAR	<input type="checkbox"/> 4 <input type="checkbox"/> 6 <input type="checkbox"/> 8 <input type="checkbox"/> 9	<input type="checkbox"/> 120-277V AC <input type="checkbox"/> 347V AC	<input type="checkbox"/> COB (Full Spectrum) <input type="checkbox"/> 5 in 1 (Horticulture)	<input type="checkbox"/> 0-10V Dimming <input type="checkbox"/> 105° Beam Angle

**Configuration:** Consult factory for instructions