



## CVD-96J

### Indoor & Outdoor

### Constant Voltage 0-10V Dimmable LED Driver

Type: \_\_\_\_\_  
 Project: \_\_\_\_\_  
 Catalog#: \_\_\_\_\_

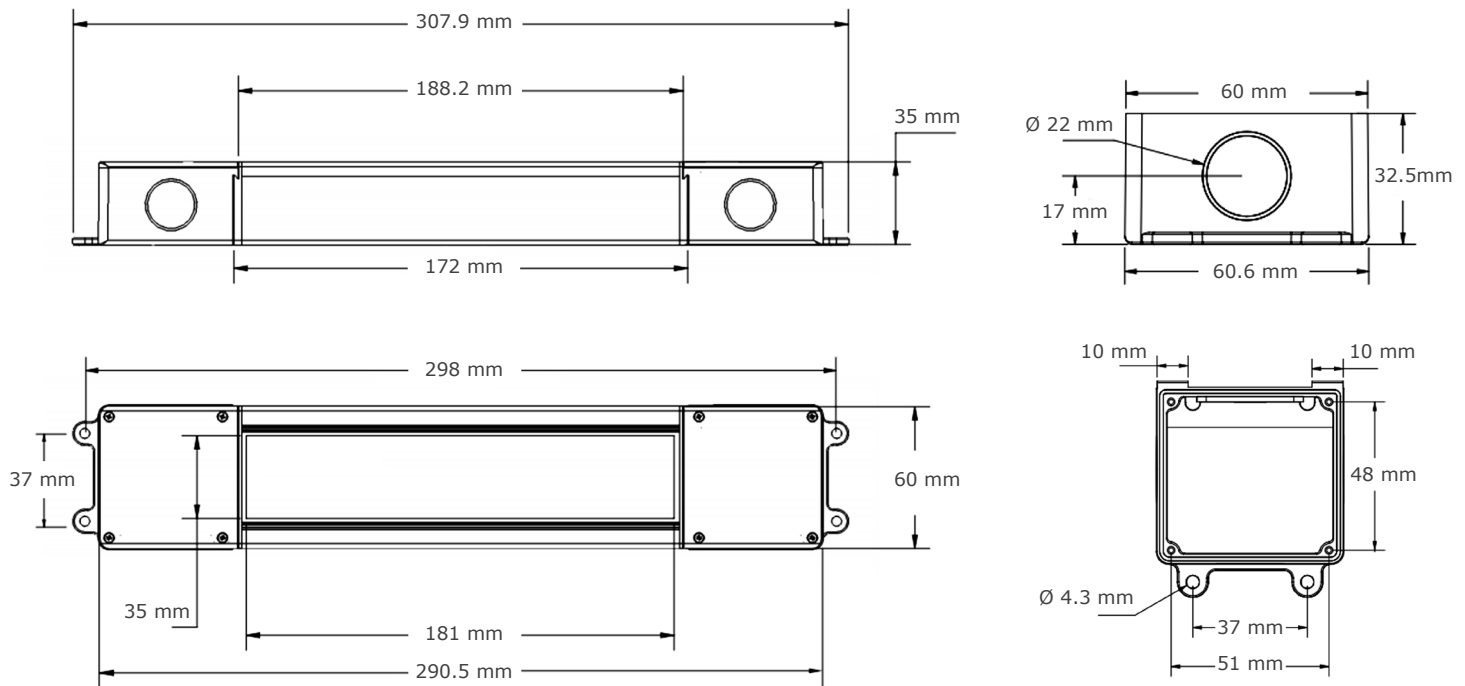
## Main Features

- UL listed enclosure – built-in junction boxes
- 0-10V Dimmable - flicker free down to 1%
- Auto-reset protection for short circuit & over-temperature
- Over load protection – CC mode
- Class 2, Class P
- No minimum load requirement
- Universal input voltage

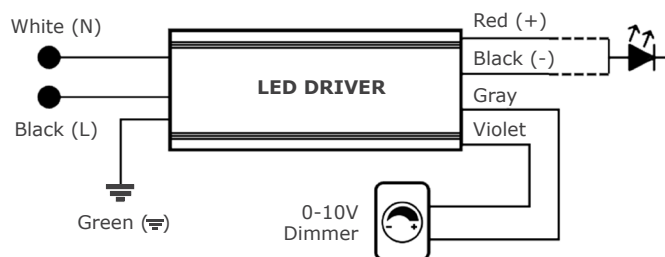


## Technical Information

### CVD-96J



## Wiring Diagram





# CVD-96J

## Indoor & Outdoor

### Constant Voltage 0-10V Dimmable LED Driver

Type: \_\_\_\_\_  
 Project: \_\_\_\_\_  
 Catalog#: \_\_\_\_\_

## Specification Features

### Input

Input Voltage Range	120 - 277VAC ± 10%
Input Frequency	50 / 60Hz
Input Current	0.96A Max
Inrush Current	5A Max @ 120V / 30A Max @ 277V
Efficiency	> 87% Max
Power Factor	> 0.95
THD	< 20%

### Output

Output Voltage	24VDC
Output Current	4100mA Max
Output Ripple	> 3%
Line Regulation	> 2%
Load Regulation	> 3%
Turn On Delay Time	> 0.3 Sec

### Environmental

Env. Protection Rating	IP65
Operating Temp.	-25°C - +40°C
Max Case Temp.	80°C
Storage Temp.	-40°C - +85°C
Expected lifetime	50K Hours ( > 65°C ) Tc
Audible Noise	> 24db Class A

### Protections

Over Current Protection	Yes
Over Voltage Protection	Yes
Over Temperature Protection	Yes; Hiccup mode
Over Load Protection	Yes / Current limit
Short Circuit Protection	Yes; Current limit

## Dimming Specifications

### Dimming

Dimming Control	0-10V
Min. Dimming Level	1%
Dimming Curves	Linear
Current Consumption	0.2mA Max Source / Sinc

### Compatible 0-10 Dimmer

Lutron	Diva: DVTV & NFTV
Lutron	Nova T - NTFTV
Leviton	illumatech - IP7
Watt Stopper	DCLV1
Lightolier Controls	ZP600FAM120
Phillips	Sunrise - SR1200ZTUNV

### Part Number

## Order Form

<b>Series</b>	<b>Model</b>
<input checked="" type="checkbox"/> CVD	<input type="checkbox"/> 96J