



CVD-60J

Indoor & Outdoor

Constant Voltage 0-10V Dimmable LED Driver

Type: _____
 Project: _____
 Catalog#: _____

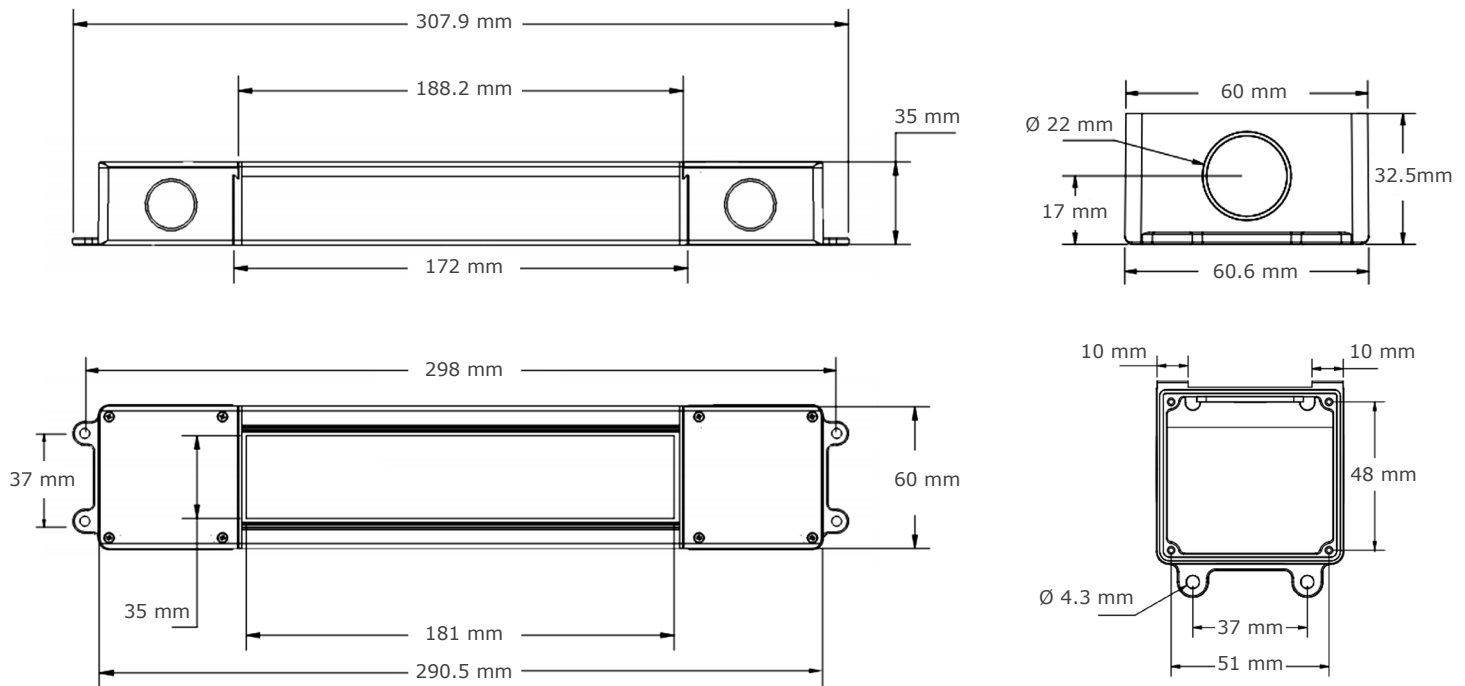
Main Features

- UL listed enclosure – built-in junction boxes
- 0-10V Dimmable - flicker free down to 1%
- Auto-reset protection for short circuit & over-temperature
- Over load protection – CC mode
- Class 2, Class P
- No minimum load requirement
- Universal input voltage

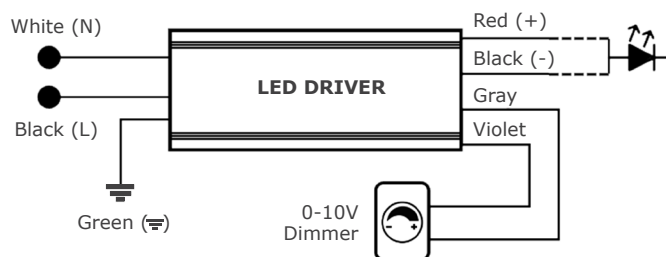


Technical Information

CVD-60J



Wiring Diagram





CVD-60J

Indoor & Outdoor

Constant Voltage 0-10V Dimmable LED Driver

Type: _____
 Project: _____
 Catalog#: _____

Specification Features

Input

Input Voltage Range	120 - 277VAC ± 10%
Input Frequency	50 / 60Hz
Input Current	0.96A Max
Inrush Current	5A Max @ 120V / 30A Max @ 277V
Efficiency	> 87% Max
Power Factor	> 0.95
THD	< 20%

Output

Output Voltage	24VDC
Output Current	2600mA Max
Output Ripple	> 3%
Line Regulation	> 2%
Load Regulation	> 3%
Turn On Delay Time	> 0.3 Sec

Environmental

Env. Protection Rating	IP65
Operating Temp.	-25°C - +40°C
Max Case Temp.	80°C
Storage Temp.	-40°C - +85°C
Expected lifetime	50K Hours (> 65°C) Tc
Audible Noise	> 24db Class A

Protections

Over Current Protection	Yes
Over Voltage Protection	Yes
Over Temperature Protection	Yes; Hiccup mode
Over Load Protection	Yes / Current limit
Short Circuit Protection	Yes; Current limit

Dimming Specifications

Dimming

Dimming Control	0-10V
Min. Dimming Level	1%
Dimming Curves	Linear
Current Consumption	0.2mA Max Source / Sinc

Compatible 0-10 Dimmer

Lutron	Diva: DVTV & NFTV
Lutron	Nova T - NTFTV
Leviton	illumatech - IP7
Watt Stopper	DCLV1
Lightolier Controls	ZP600FAM120
Phillips	Sunrise - SR1200ZTUNV

Part Number

Order Form

Series	Model
<input checked="" type="checkbox"/> CVD	<input type="checkbox"/> 60J