



## GS-LED STRIP LIGHTS Assembly Instructions

### Before you begin

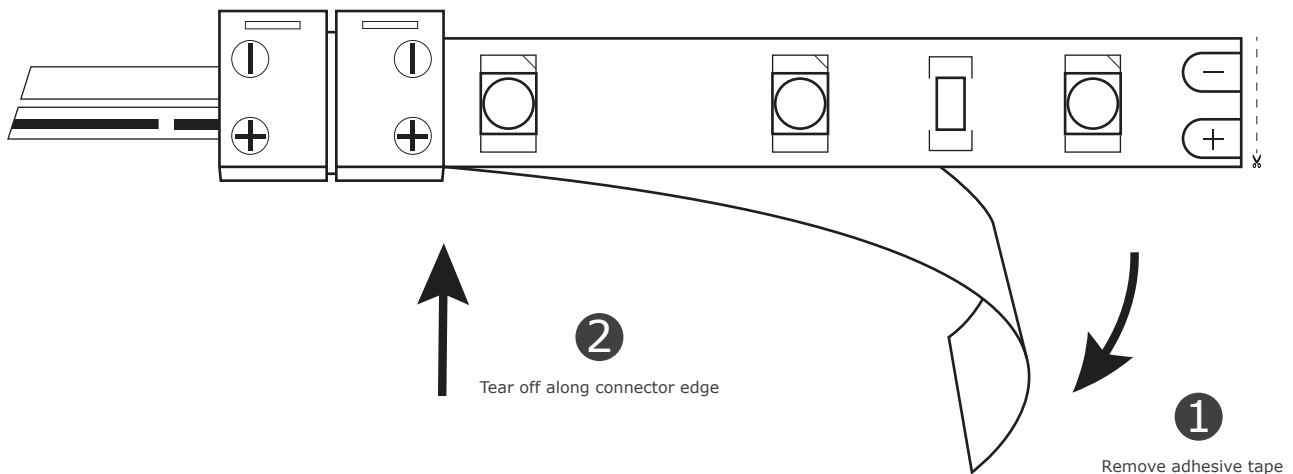
- Clean the surface where you plan to attach the LED strip light.
- The smallest unit that can be cut is 100mm - (3 LEDs).
- The LED strip is mounted using double-sided adhesive on the back-surface of the strip.



### Safety Information

- Careful not to damage or destroy conducting paths on the circuit board.
- Only personnel should be allowed to perform installation.
- Ensure correct electrical polarity.
- Serial connection is for a max of 10m or 32'. Longer connections can cause unbalanced voltage drops, and cause hazardous overlord that will damage the strip.
- Parallel connection is recommended for lengths longer than 10m.
- Ensure the power supply has power to operate the total load.
- Pay attention to standard ESD precautions when installing the LED strip.
- Careful not to mechanically stress the LED strip its components.

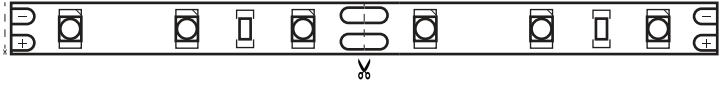
## DRY LOCATION MOUNT TAPE LIGHT



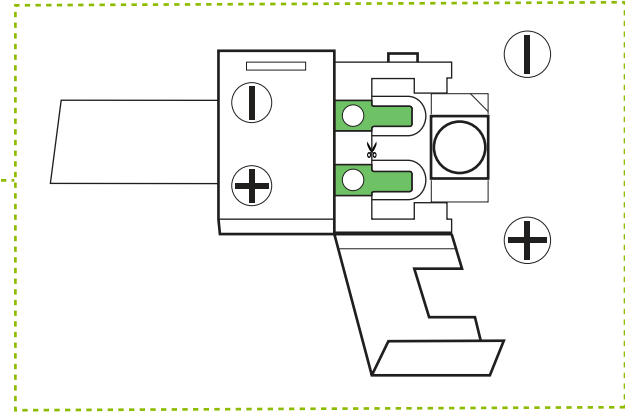
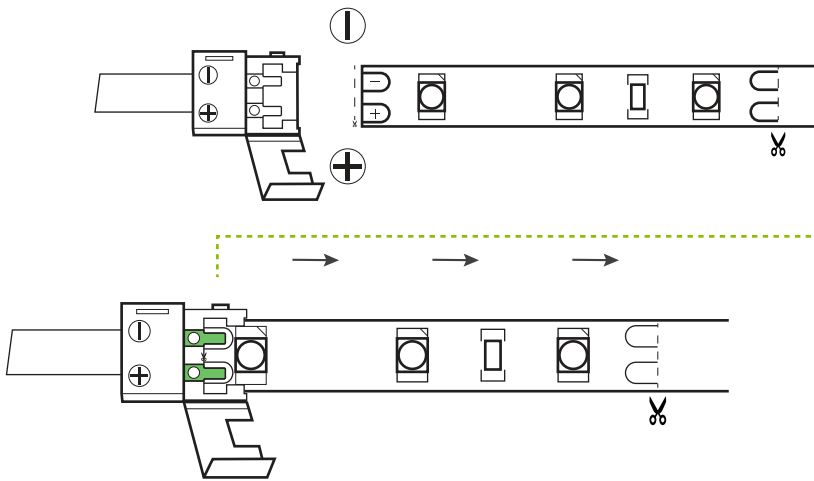


# TAPE CUTTING INSTRUCTIONS

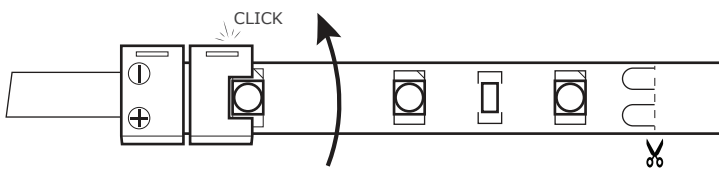
**1** **Step 1:** Cut the LED strip to desired length. Make cut along the clearly marked cut line.



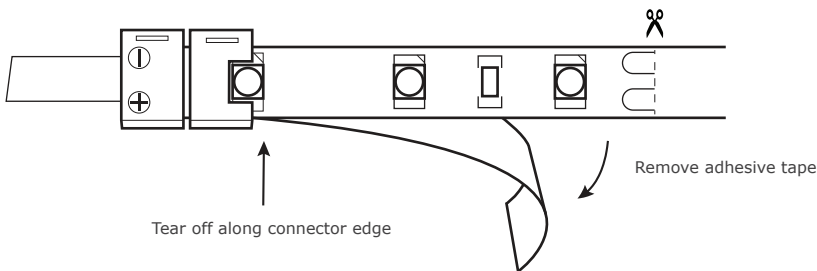
**2** **Step 2:** Open connector, determine orientation for correct polarity and insert the LED strip into connector.



**3** **Step 3:** Firmly close connector. This will crimp the LED strip and hold it into place.

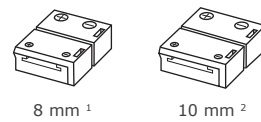


**4** **Step 4:** Remove adhesive tape and install the LED strip.



## Quick Connectors

WIDTH

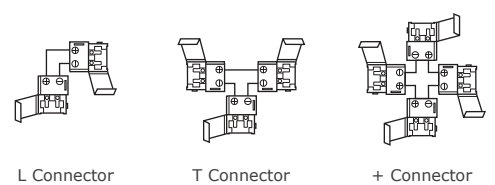


8 mm <sup>1</sup>

10 mm <sup>2</sup>

<sup>1</sup> NFX1 / NFX2 / HFX  
<sup>2</sup> BID

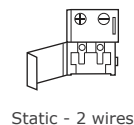
TYPE OF CONNECTOR



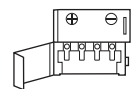
L Connector

T Connector

+ Connector



Static - 2 wires

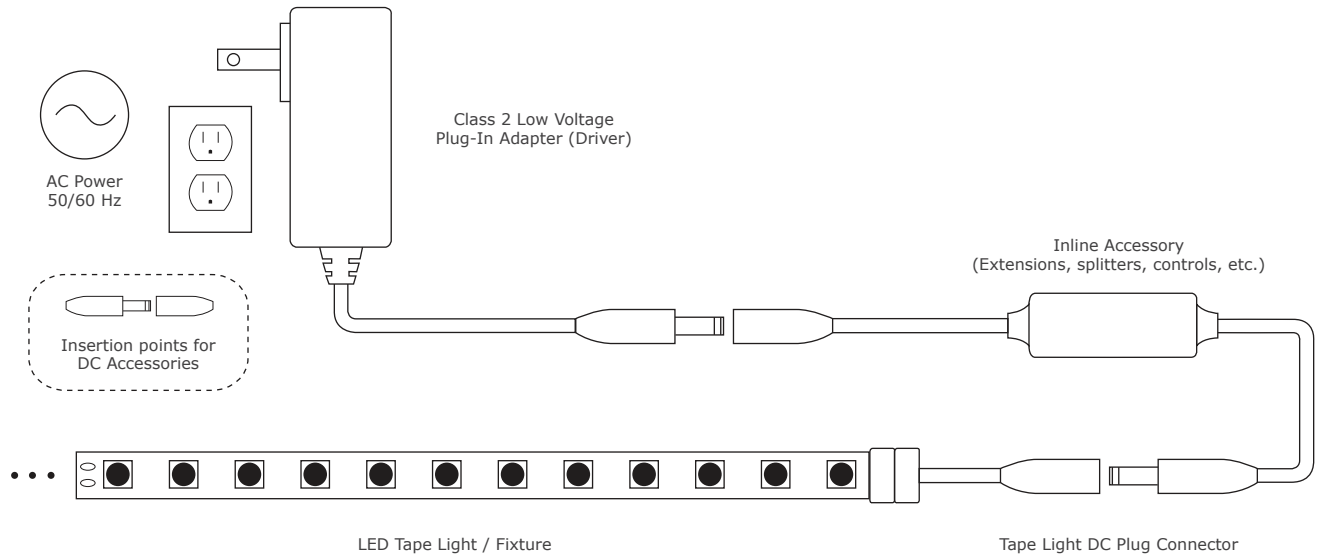


RGB - 4 wires

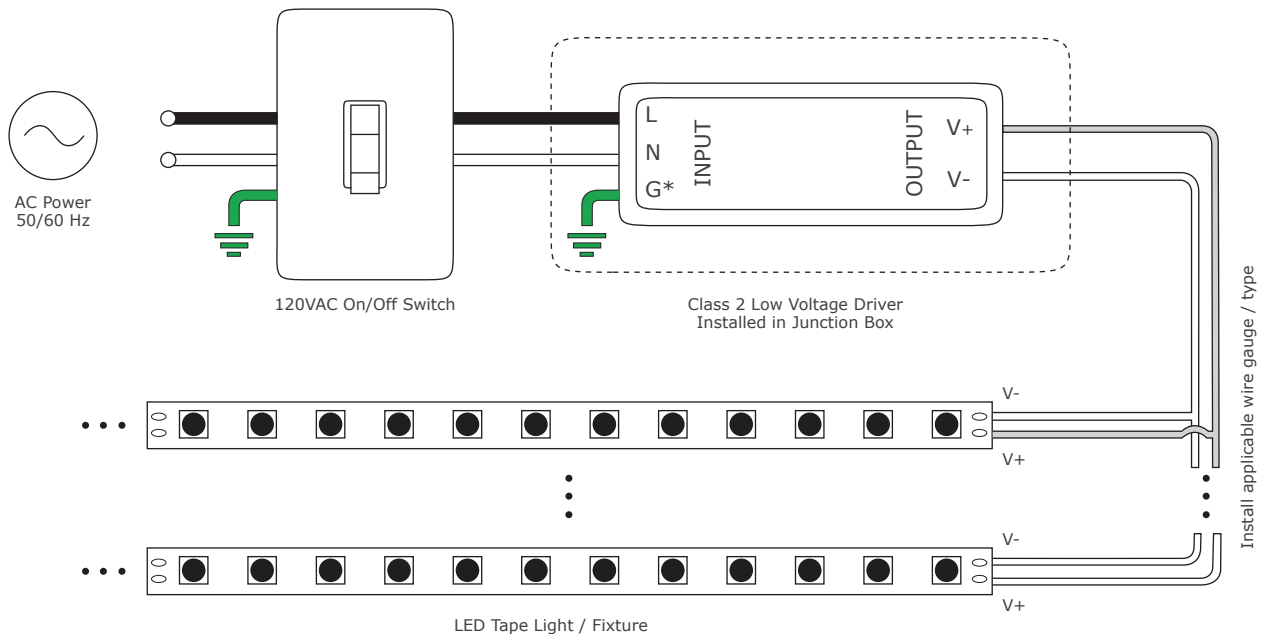


## PLUG-IN ADAPTER SYSTEM

## GS-LED STRIP LIGHTS Assembly Instructions



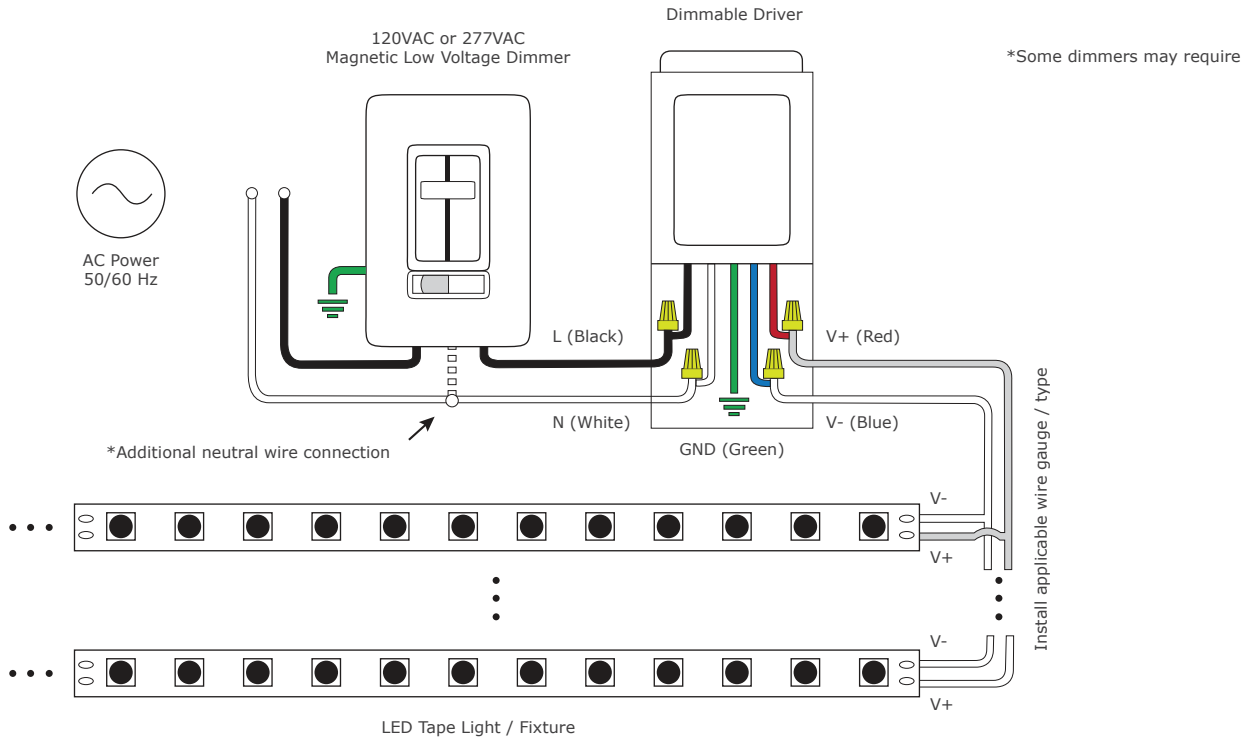
## TRADITIONAL ON/OFF SYSTEM





## DIMMABLE DRIVER SYSTEM

## GS-LED STRIP LIGHTS Assembly Instructions



## RGB/RGBW COLOUR CONTROL SYSTEM

