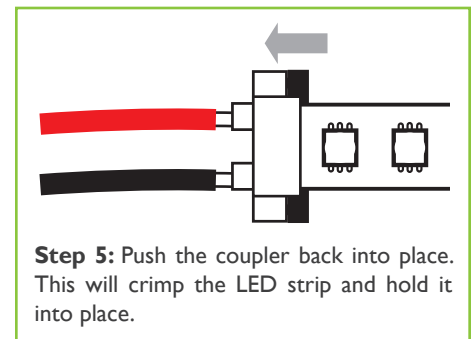
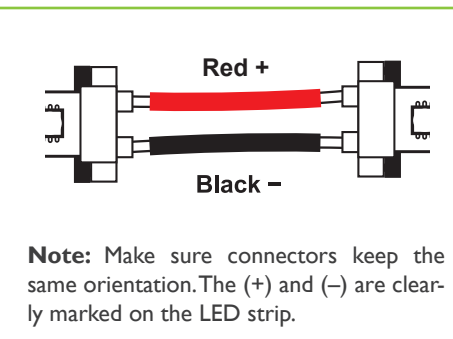
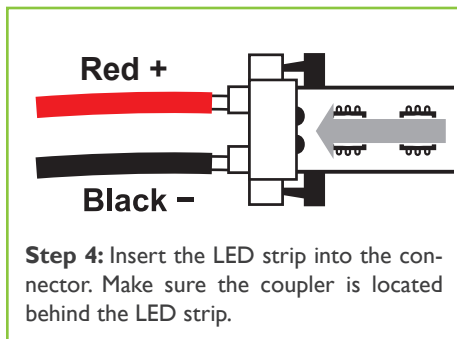
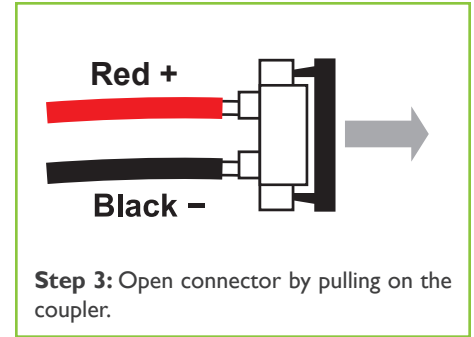
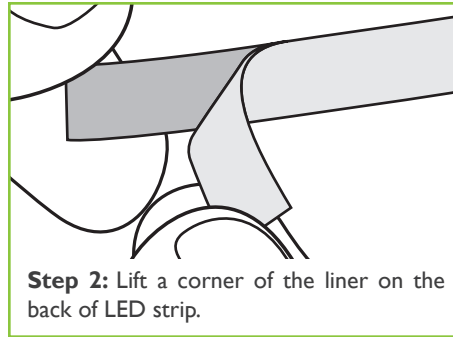
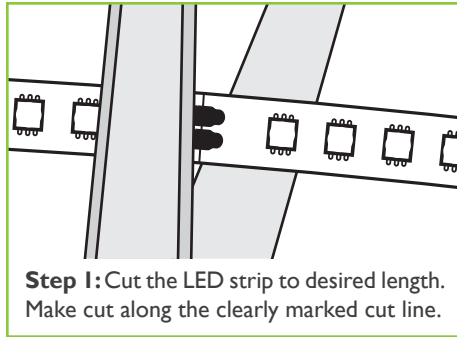


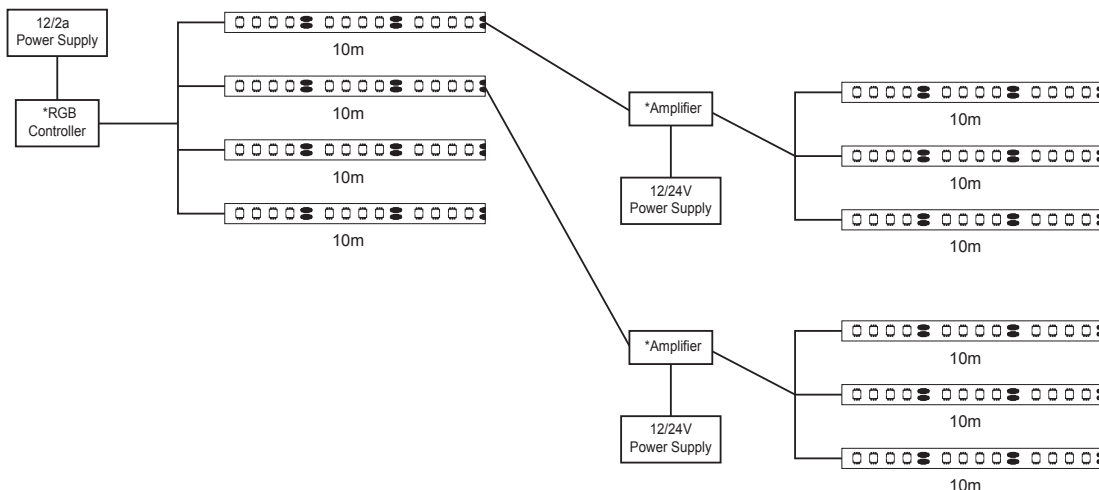
Before you begin

- Clean the surface where you plan to attach the LED strip light.
- The smallest unit that can be cut is 100mm - (3 LEDs).
- The LED strip is mounted using double-sided adhesive on the back-surface of the strip.

Assembly instructions



Configuration



*Controllers and amplifiers only required for RGB strip lights.

Safety information

- Careful not to damage or destroy conducting paths on the circuit board.
- Only qualified personnel should be allowed to perform installation.
- Ensure correct electrical polarity.
- Serial connection is for a max of 10m or 32'. Longer connections can cause unbalanced voltage drops, and cause hazardous overlord that will damage the strip.
- Parallel connection is recommended for lengths longer than 10m.
- Ensure the power supply has sufficient power to operate the total load.
- Pay attention to standard ESD precautions when installing the LED strip.
- Careful not to mechanically stress the LED strip its components.