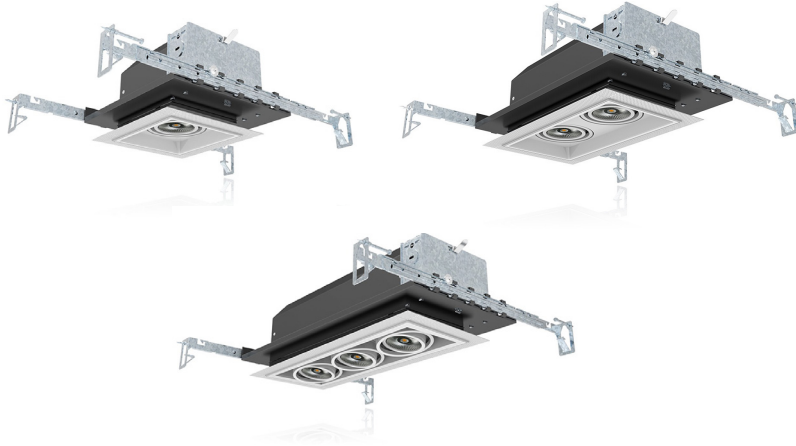


Type: _____

Project: _____

Catalog #: _____

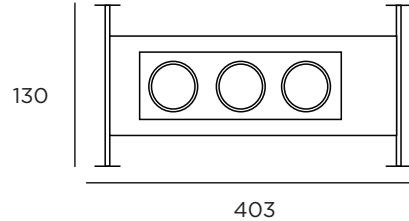
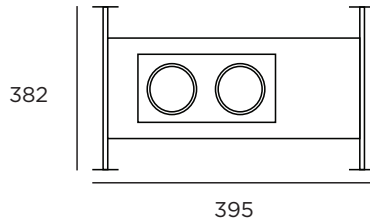
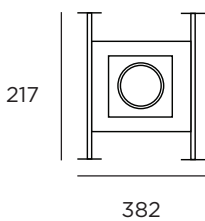


Main Features

- Die-cast aluminum heat sink
- Trim and housing constructed of steel
- Individually adjustable luminaires
- Unit includes housing & trim
- 30° vertical tilt, 360° horizontal rotation

Model	GD-G401	GD-G402	GD-G403
Lumen	900 lm	1800 lm	2700 lm
Input Voltage	120-277V AC	120-277V AC	120-277V AC
Color Temperature (CCT)	2700K, 3000K, 3500K, 4000K	2700K, 3000K, 3500K, 4000K	2700K, 3000K, 3500K, 4000K
PPF	> 0.98	> 0.98	> 0.98
CRI	Ra80 / Ra90	Ra80 / Ra90	Ra80 / Ra90
Dimensions	217 x 382 mm	382 x 395 mm	130 x 403 mm
IP	20	20	20
Certification	cULus	cULus	cULus
Warranty	5 Years	5 Years	5 Years

Technical Information



units in mm.

Order Form

Series	Model	Voltage	Color	Options
<input type="checkbox"/> GD	<input type="checkbox"/> G401	<input type="checkbox"/> 120-277V AC	<input type="checkbox"/> 2700K	<input type="checkbox"/> 80 CRI
	<input type="checkbox"/> G402		<input type="checkbox"/> 3000K	<input type="checkbox"/> 90 CRI
	<input type="checkbox"/> G403		<input type="checkbox"/> 3500K	
			<input type="checkbox"/> 4000K	