



GS-LED STRIP LIGHTS Assembly Instructions

Before you begin

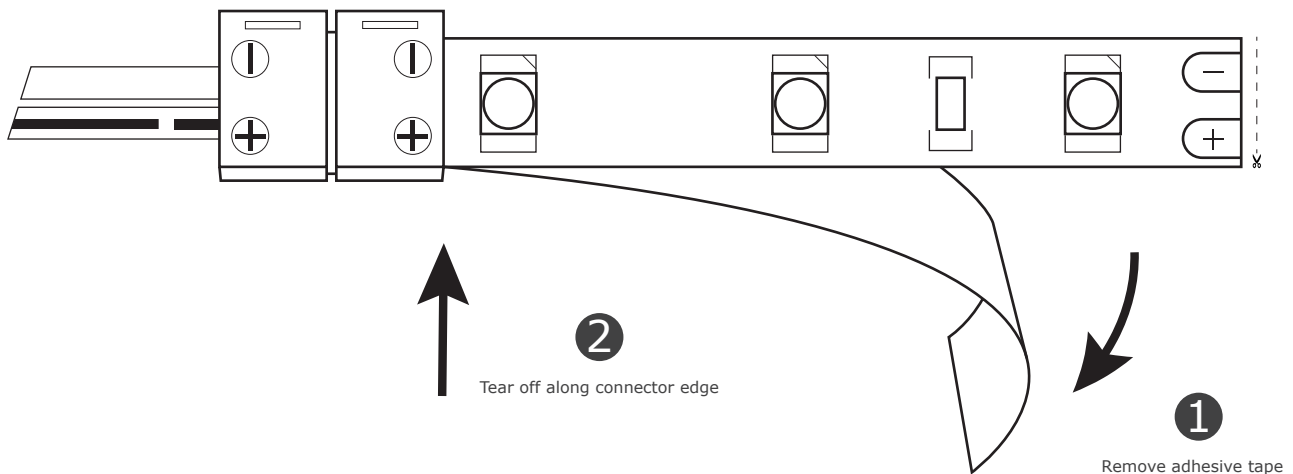
- Clean the surface where you plan to attach the LED strip light.
- The smallest unit that can be cut is 100mm - (3 LEDs).
- The LED strip is mounted using double-sided adhesive on the back-surface of the strip.



Safety Information

- Careful not to damage or destroy conducting paths on the circuit board.
- Only authorized personnel should perform installation.
- Ensure correct electrical polarity.
- Serial connection is for a max of 10m or 32'. Longer connections can cause unbalanced voltage drops, and cause hazardous overlord that will damage the strip.
- Parallel connection is recommended for lengths longer than 10m.
- Ensure the power supply has power to operate the total load.
- Pay attention to standard ESD precautions when installing the LED strip.
- Careful not to mechanically stress the LED strips' components.

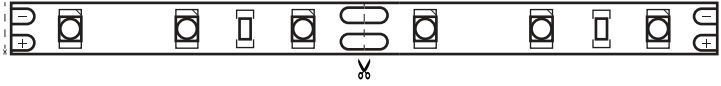
DRY LOCATION MOUNT TAPE LIGHT



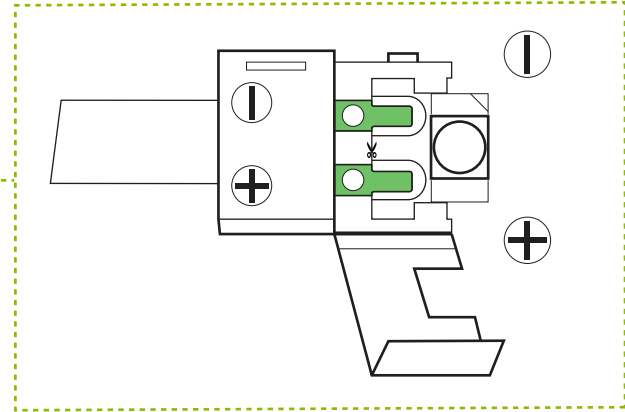
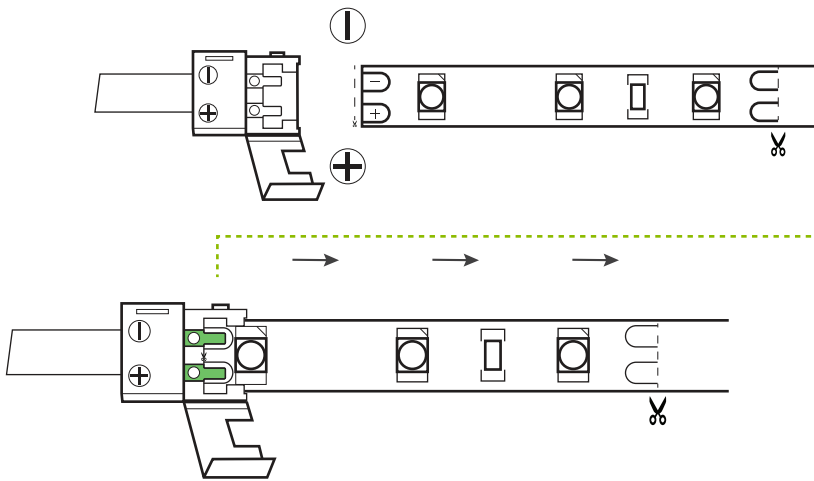


TAPE CUTTING INSTRUCTIONS

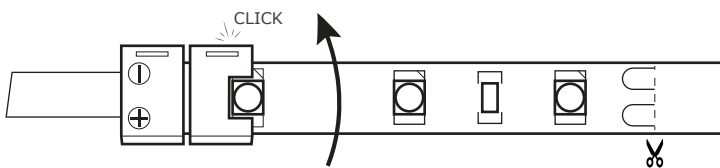
- 1** **Step 1:** Cut the LED strip to desired length. Make cut along the clearly marked cut line.



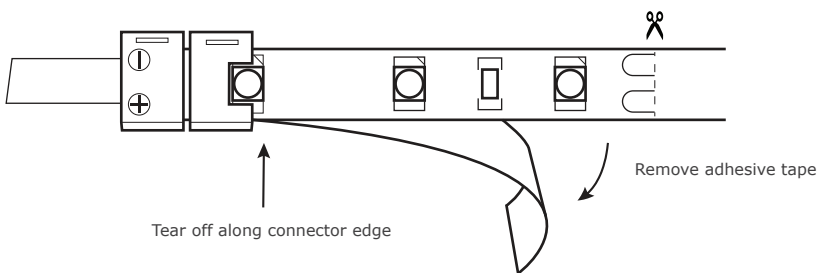
- 2** **Step 2:** Open connector, determine orientation for correct polarity and insert the LED strip into connector.



- 3** **Step 3:** Firmly close connector. This will crimp the LED strip and hold it into place.

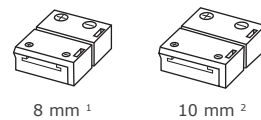


- 4** **Step 4:** Remove adhesive tape and install the LED strip.



Quick Connectors

WIDTH

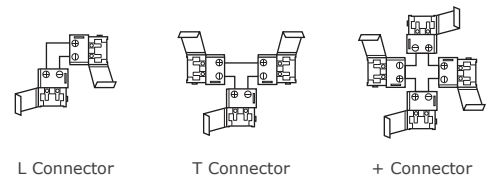


8 mm ¹

10 mm ²

¹ NFX1 / NFX2 / HFX
² BID

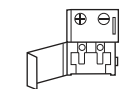
TYPE OF CONNECTOR



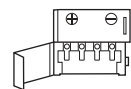
L Connector

T Connector

+ Connector



Static - 2 wires

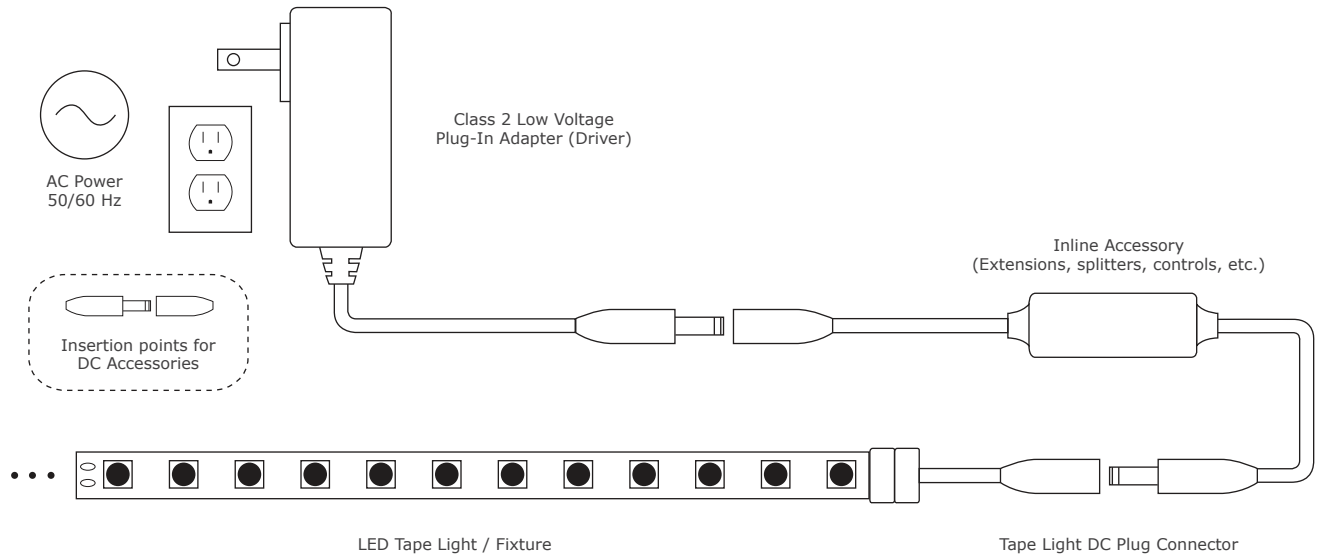


RGB - 4 wires

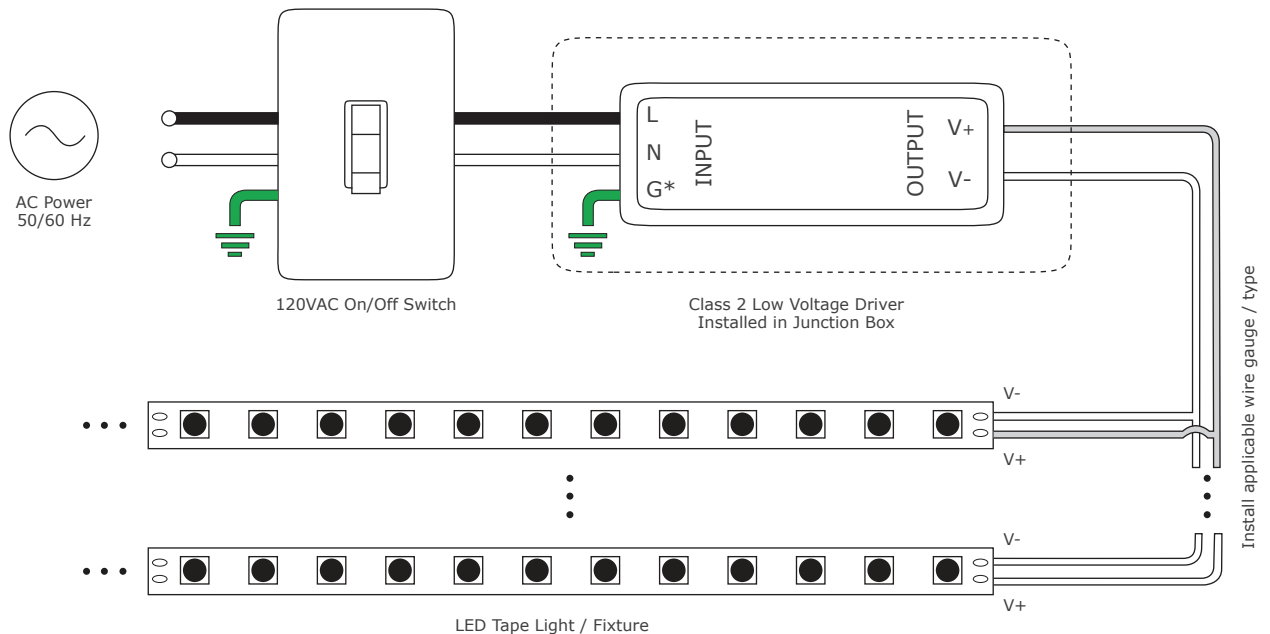


PLUG-IN ADAPTER SYSTEM

GS-LED STRIP LIGHTS Assembly Instructions



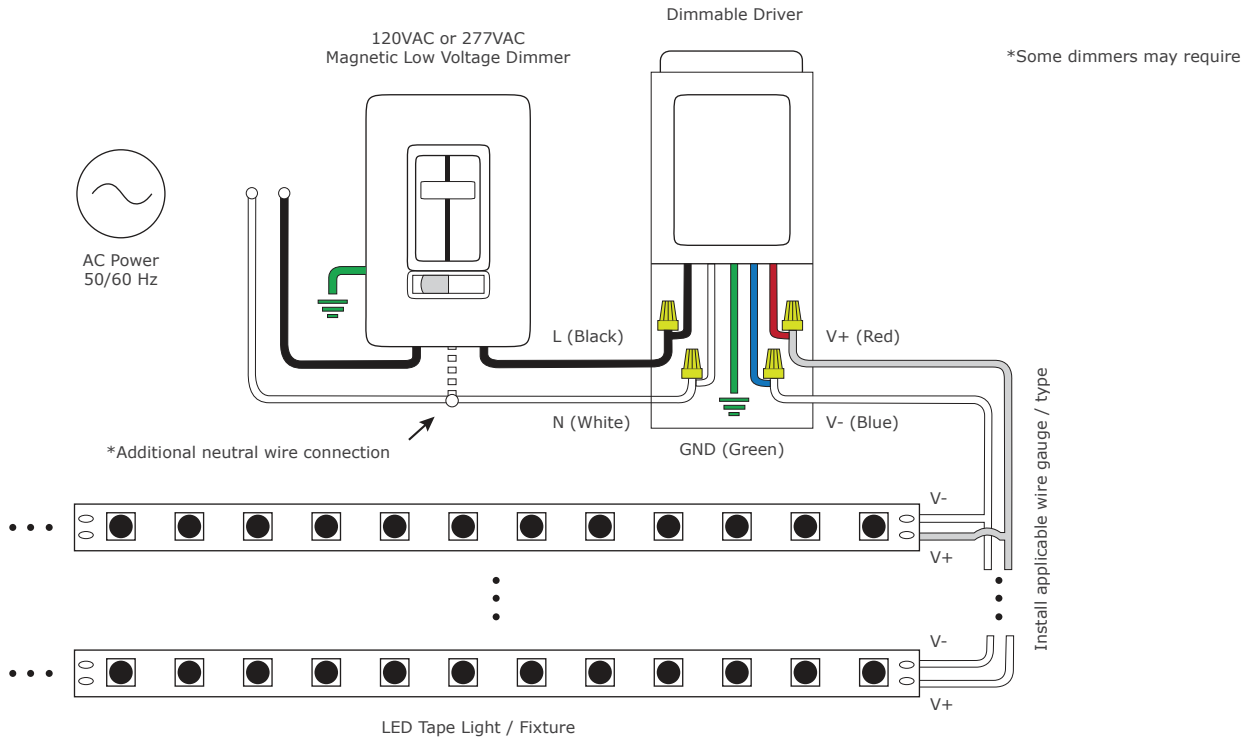
TRADITIONAL ON/OFF SYSTEM





DIMMABLE DRIVER SYSTEM

GS-LED STRIP LIGHTS Assembly Instructions



RGB/RGBW COLOUR CONTROL SYSTEM

