



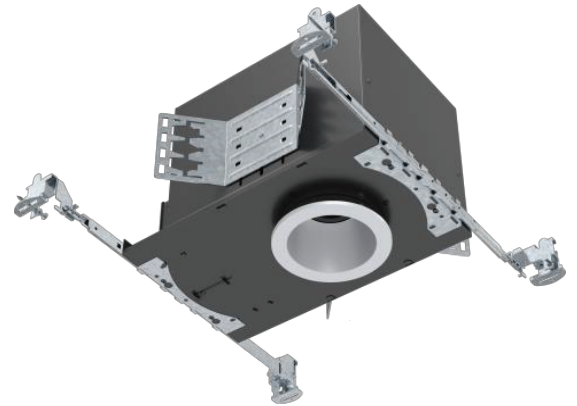
GP-R35

New Construction Round Downlight

Type: _____
 Project: _____
 Catalog#: _____

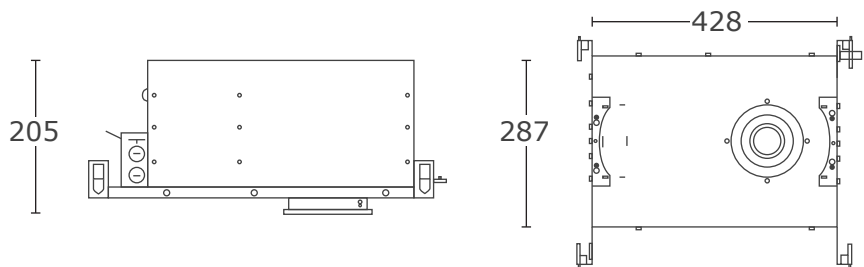
Main Features

- 3.5 Inch LED fixtures with round apertures
- Offers precision lighting for accent task and wall wash applications
- Separatable rotating reflector design
- Powder coated steel frame
- IC Rated
- Various dimming options available



Technical Information

GP-R35 : 287 x 428 x 205



* All units in mm

Specification Features

Model	GP-12R35	GP-15R35	GP-20R35
Lumen Output	1000 lm	1300 lm	1600 lm
Power Consumption	12 W	15 W	20 W
Input Voltage	120-277 V AC	120-277 V AC	120-277 V AC
Colour Temperature	2700K, 3000K, 3500K, 4000K	2700K, 3000K, 3500K, 4000K	2700K, 3000K, 3500K, 4000K
CRI	Ra80, Ra90	Ra80, Ra90	Ra80, Ra90
Dimensions	205 x 287 x 428 mm	205 x 287 x 428 mm	205 x 287 x 428 mm
Beam Angle	12°, 24°, 36°	12°, 24°, 36°	12°, 24°, 36°
IP	20	20	20
Certification	cETLus	cETLus	cETLus
Warranty	5 Years	5 Years	5 Years

Order Form

Series	Model	Voltage	Wattage	Dimming	Beam Angle	Housing	Colour Temperature
<input checked="" type="checkbox"/> GP	<input type="checkbox"/> R35	<input type="checkbox"/> 120-277 V AC	<input type="checkbox"/> 12 W <input type="checkbox"/> 15 W <input type="checkbox"/> 20 W	<input type="checkbox"/> None <input type="checkbox"/> Triac <input type="checkbox"/> 0-10V	<input type="checkbox"/> 12° Spot <input type="checkbox"/> 24° Narrow Flood <input type="checkbox"/> 36° Flood	<input type="checkbox"/> IC <input type="checkbox"/> Non-IC	<input type="checkbox"/> 2700K <input type="checkbox"/> 3000K <input type="checkbox"/> 3500K <input type="checkbox"/> 4000K